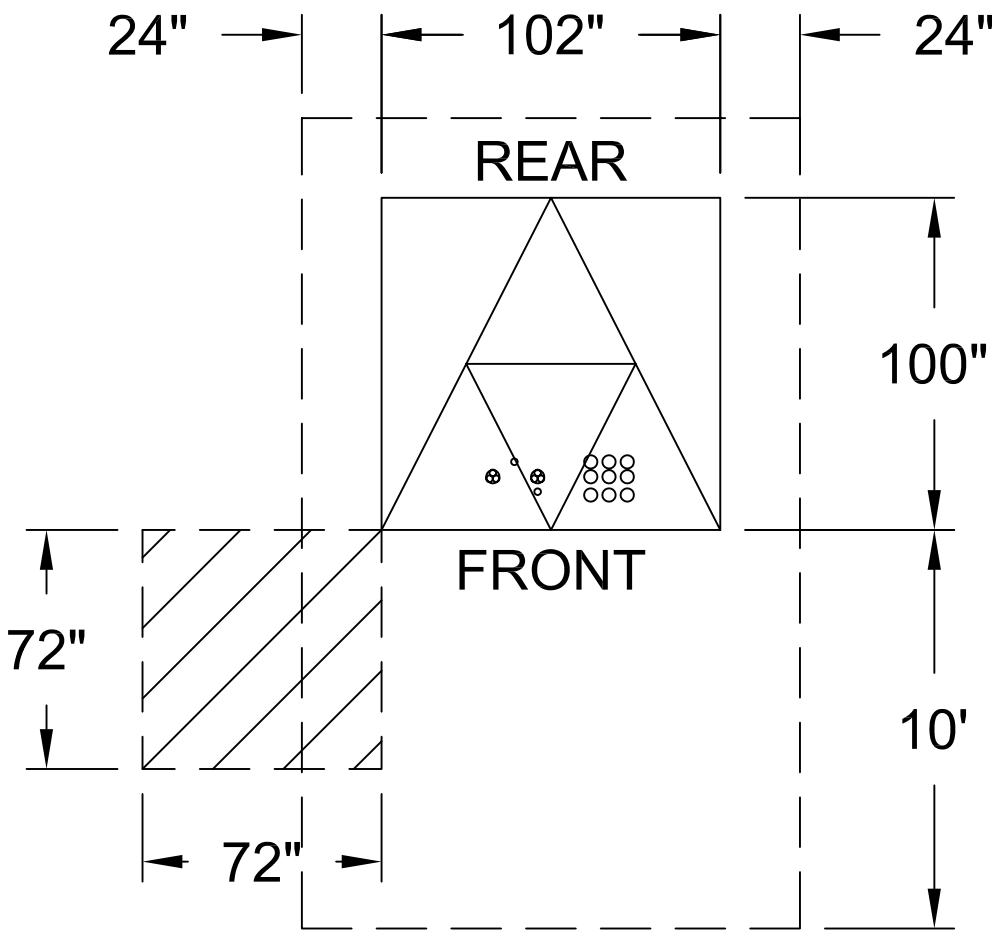


# DIMENSIONS & MINIMUM SAFETY WORKING CLEARANCES

## APS TRANSFORMERS - THREE PHASE 1000 KVA - 2500 KVA



Clearance areas shall be free of obstructions such as shrubs, trees and cactus.

Final grade within the 10-foot and 72-inch working areas shall be smooth and free of tripping hazards such as curbs and river rock.